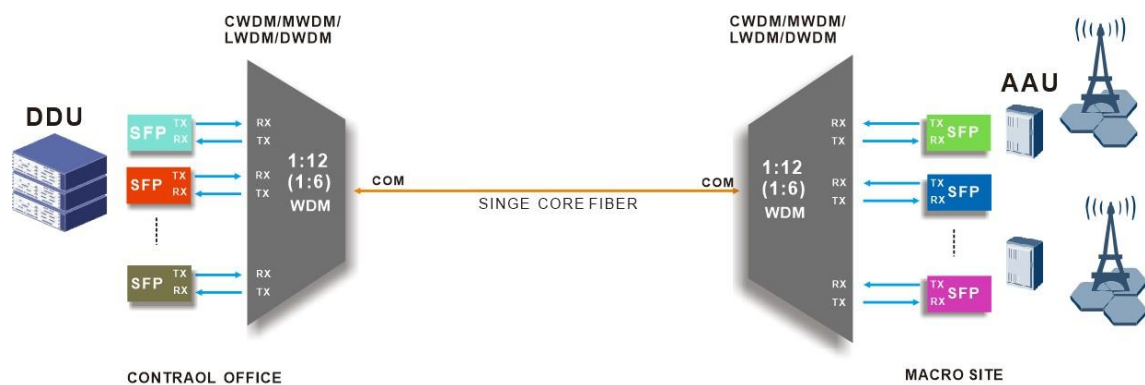


MWDM for 5G fronthaul System

In 5G fronthaul system, if use optical fiber direct to connect RRU and DDU, it is simple, but it takes up a lot of optical fiber resources, and many times, the optical fiber resources are scarce. In this case, if use WDM system, can save your fiber resources.

NewNets are mainly producing WDM products, our 12ch MWDM are used in 5G fronthaul system.

Application solution as below:

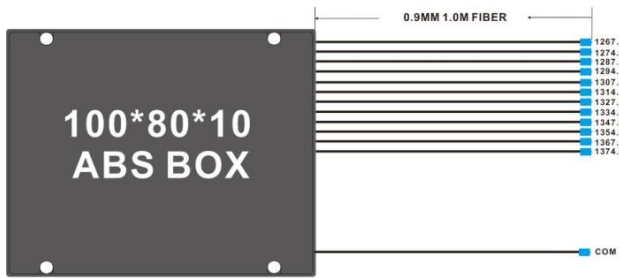


Technology of WDM	MWDM	Channel Spacing	7nm
Channel Passband	±2.0nm	Technology	TFF
12CH Wavelength	1267.50/1274.50/1287.50/1294.50 1307.50/1314.50/1327.50/1334.50 1347.50/1354.50/1367.50/1374.50	IL (dB)	3.6dB
Center Wavelength Accuracy	±0.05nm	Return Loss	≥ 45dB
Directivity	≥ 45dB	Polarization Mode Dispersion	≤ 0.1ps
Polarization Dependent Loss	≤ 0.2dB	Channel Isolation	Adjacent ≥25dB Non-adjacent ≥ 35dB

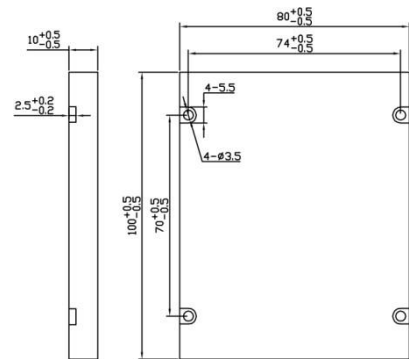
Notes: Specified with connectors.



Packing information



ABS Pigtailed Box



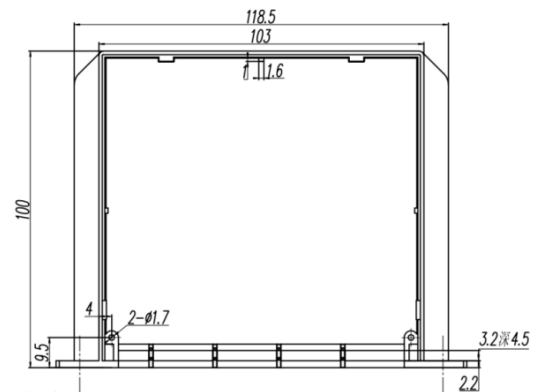
Box Dimension

Notes: 0.9mm/2.0mm/3.0mm diameter can be customized.

LGX Box Dimensions (MM)



WDM LGX BOX



INDOOR 1U RACK