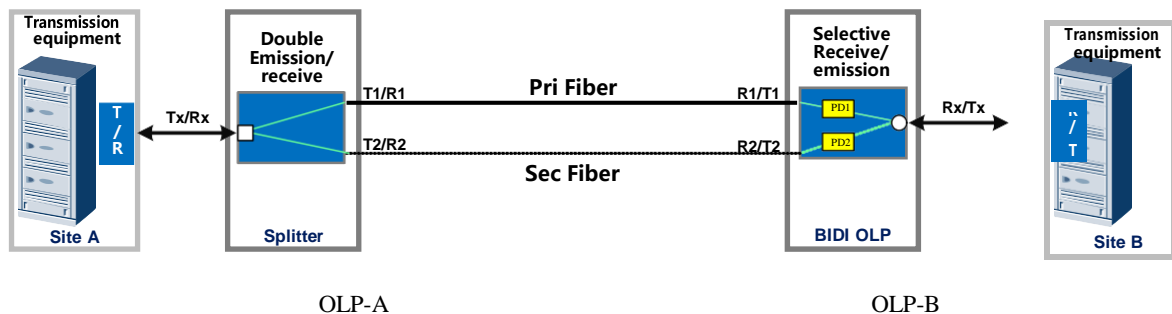


BIDI OLP Optical line protector

Product overview

OLP-Optical Line Protection is a product that is used in the protection of network transmission line, the product can realize optical power monitoring and automatic switching. In optical communication network, OLP real-time monitoring optical power of working optical fiber and standby optical fiber. When the optical power value of working optical fiber is below the set switching threshold, the system raise the alarm prompt and switches to standby fiber automatically, which achieve line protection of optical transmission system.



Note: the wavelength of PD1 and PD2 need to be specially customized, generally choose one of the Site A wavelength as the monitoring wavelength.

Product features

- **Applicable to single fiber system**
- Low insertion loss
- Short switching time
- Transparent transmission characteristics
- High level of integration by plug-in design, which saves space of cabinet
- Expansion is very convenient





Performance Index

Parameters	Unit	Specifications
Operating Wavelength	nm	ITU CWDM or DWDM
Monitoring optical power range	dBm	+ 23 ~ -50
Monitoring optical power accuracy	dB	±0.25
Optical power resolution	dB	±0.01
Crosstalk	dB	≥55
Return loss	dB	≥55
Isolation	dB	≥45
PDL	dB	≤0.05
WDL	dB	≤0.1
Optical Power	mw	≤500
IL	dB	Splitter < 3.8 BIDI OLP<1.2
Switching speed	ms	<15
Operation life	time	>10000000
Operation Temperature	°C	0~60
Storage Temperature	°C	-45~75
Consumption	W	< 3
Optical fiber interface		LC-APC/UPC