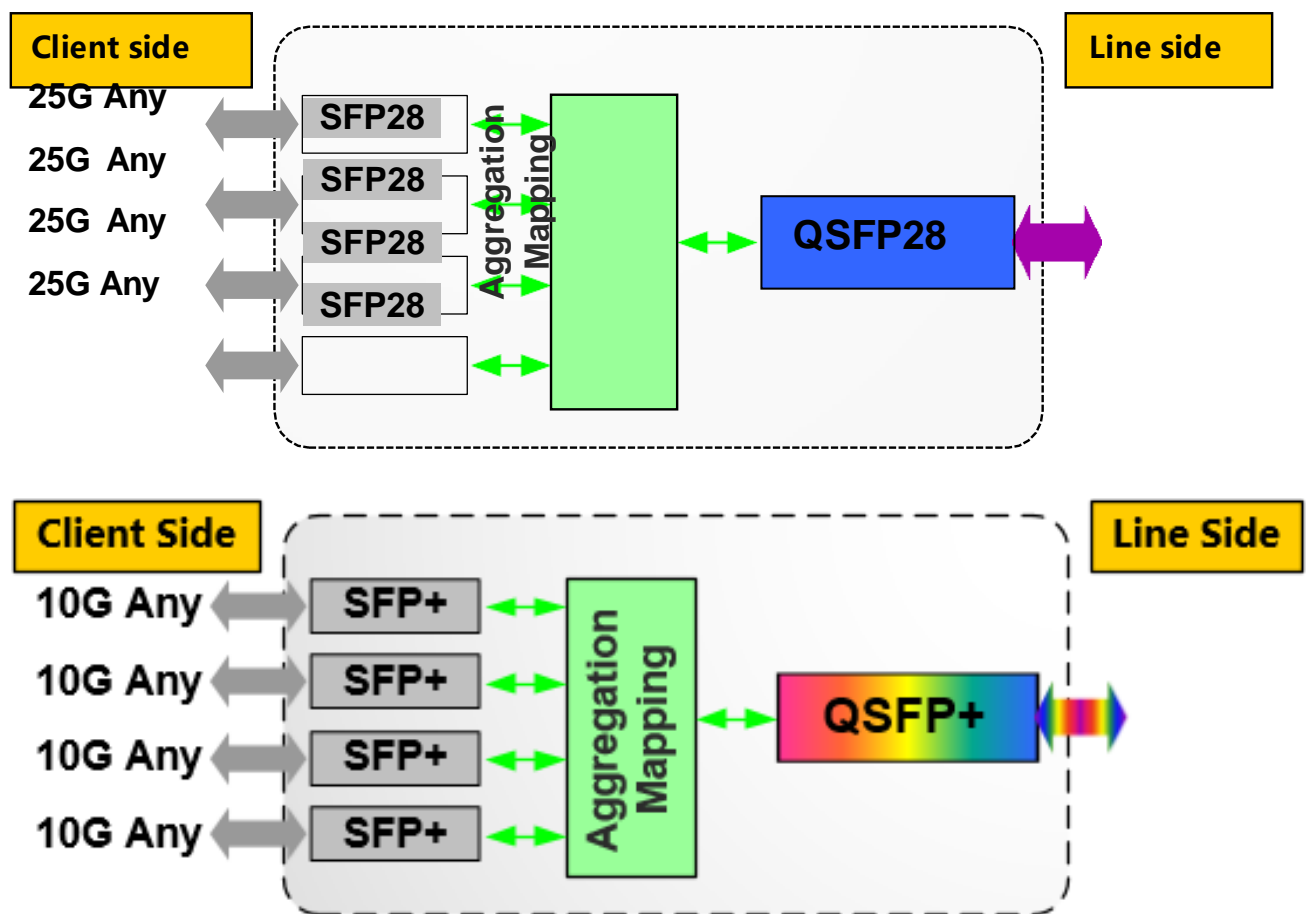


NS-MQSFP: 4x10G/4x25G OTN Card

NS-MQSFP is a 4x10G/25G service aggregation single card launched by NewNets. It uses industry-leading chip technology and can aggregate the 4 channels of 10G any services into one 40G service or 4 channels of 25G any services into one 100G service. The reverse process of the above can also be realized. It's suitable for the application of the optical transmission network of the metro access and metro aggregation.

Functional structure





Product specification

Product Model	NS-MQSFP
Basic function	Support 4-channel 10G/25G service transparent transmission and can aggregate the 4-channel 10G/25G service signals into a 1-channel 40G/100G service signal
Access service type	10GE LAN/WAN,STM-64/OC-192,FC8G, OTU2, OTU2e
WDM technology	Support DWDM: C Band, 100GHz or 50GHz
Network management function	Support real time monitoring for port working state at the client side and line side, including: transmitting optical power, receiving optical power, temperature, etc.
Client-side interface	Support 4 pluggable optical ports SFP+/SFP28, with LC type interface(SMF&MMF)
Line-side interface	Support one pluggable optical port QSFP+ or QSFP28
Typical power consumption	15w



Оборудование, решение и реализация
DWDM проектов

MTBF	> 100000 hours
------	----------------



Оборудование, решение и реализация
DWDM проектов