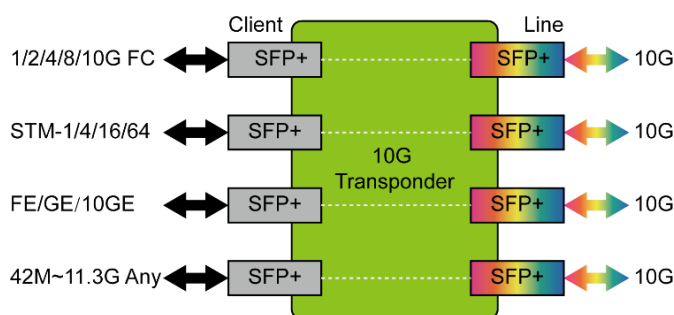


Transponder card 4 SFP28 ports

Transponder card 4 SFP28 ports is a 4-channel 10G service access card launched by NewNets. Its main function is to finish the 3R regeneration of any 4-channel signals under any protocol within the access rate of 42M~11.3Gbit/s, and then convert them into optical signals of the standard WDM wavelength, so that the MUX unit can multiplex the optical signals with different wavelengths and also achieve the reverse process. It's applicable to the WDM transmission solution for any access of services with the rate of 11.3G.

Functional Structure



Product Specification

Item	Description	
Card type	10G OTU-3R	10G OTU-2R
Interface	<ul style="list-style-type: none"> Client side interface: 4, based on SFP+ pluggable, compatible with SFP Line side interface: 4, based on SFP+ pluggable, compatible with SFP 	
Line mode	It supports the transparent transmission of any type of services in the range of 42M ~ 11.3G, and can convert 4 service optical signals into 4 WDM standard wavelength optical signals	
Relay mode	Support 42M ~ 11.3G wavelength electric relay	
Access service type	<ul style="list-style-type: none"> GE, 10GE 1/2/4/8/10G FC STM-16/64 CPRI-2/3/6/7 	<ul style="list-style-type: none"> FE, GE, 10GE 1/2/4/8/10G FC STM-1/4/16/64, OTU1/OTU2/OTU2e CPRI-1~8, 42M~11.3G Any
WDM technology	<ul style="list-style-type: none"> Support CWDM: 18 channels Support DWDM: C band 50GHz 96 channels 	
Network management	<ul style="list-style-type: none"> Supports real-time monitoring of port working state, including transmitting optical power, receiving optical power, temperature, etc. Support ALS function of optical port 	
Max power consumption	16W (including the optical modules)	
MTBF	> 100000 hours	